

Quick Reference IP Series Unregulated Linear Power Supplies



**IMS™ INTELLIGENT MOTION
SYSTEMS, INC.**

by **Schneider Electric**

IP Series Unregulated DC Power Supply

The IP Series unregulated linear DC power supplies are small, low cost supplies designed to deliver optimum power for top stepper drive performance. It can be either rack or panel mounted and is available in both 120 and 240 VAC versions with 4 choices of supply ranging from 40 VDC, 2A output to 80 VDC, 6A output.

- IP402 40V/2A Peak
- IP404 40V/4A Peak
- IP406 40V/6A Peak
- IP804 80V/4A Peak
- IP806 80V/6A Peak



Yellow:
120 VAC
Input



Orange:
240 VAC
Input

Each Power Supply will have a label in a visible location designating the AC input voltage required. Each label is also color coded. See the illustration at left for color codes.

Electrical Specifications

Input Specifications (All IP Supplies)

Specification	Typ.	Max.	Units
AC Input Voltage (-120)	120	132	VAC
AC Input Voltage (-240)	240	264	VAC
Input Frequency	50 - 60	—	Hz

Output Specifications

IP402

Specification	VDC Out	Current
No Load Output	39	0 A
Continuous Output Rating (Half Load)	30	1 A
Peak Output Rating	25	2 A

IP404

Specification	VDC Out	Current
No Load Output	43	0 A
Continuous Output Rating (Half Load)	32	2 A
Peak Output Rating	26	4 A

IP406

Specification	VDC Out	Current
No Load Output	39	0 A
Continuous Output Rating (Half Load)	33	3 A
Peak Output Rating	30	6 A

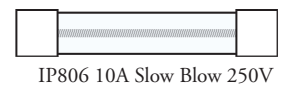
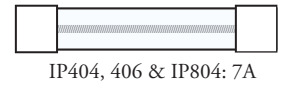
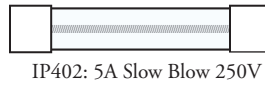
IP804

Specification	VDC Out	Current
No Load Output	76	0 A
Continuous Output Rating (Half Load)	65	2 A
Peak Output Rating	58	4 A

IP806

Specification	VDC Out	Current
No Load Output	76	0 A
Continuous Output Rating (Half Load)	68	3 A
Peak Output Rating	64	6 A

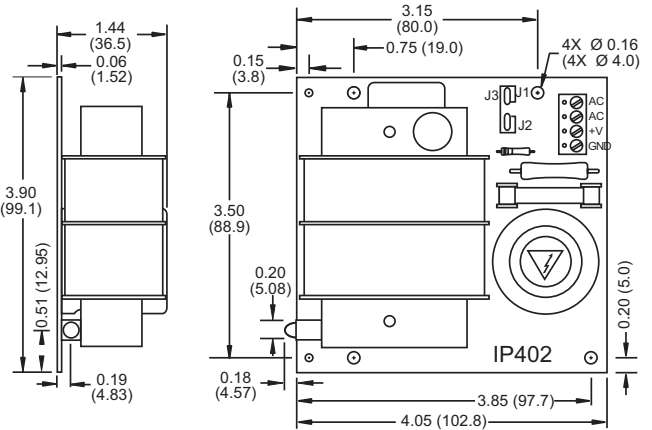
Replacement Fuses



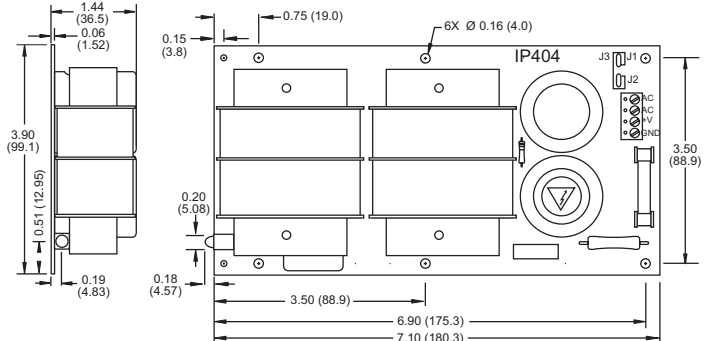
Mechanical Specifications

Dimensions in Inches (mm)

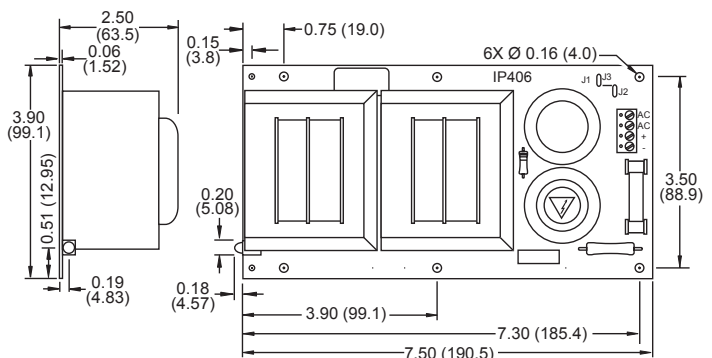
IP402



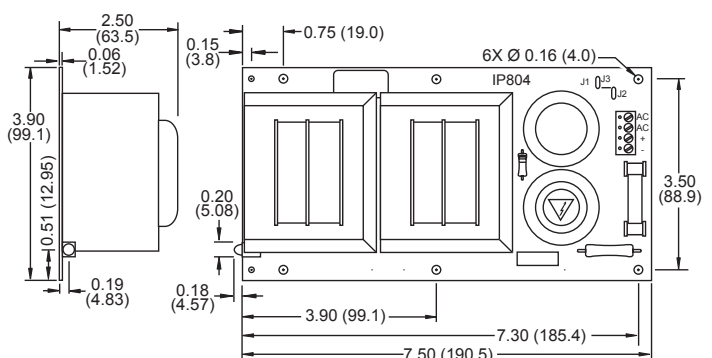
IP404



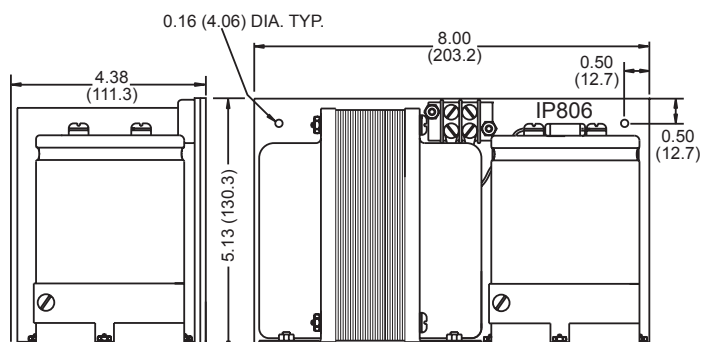
IP406



IP804



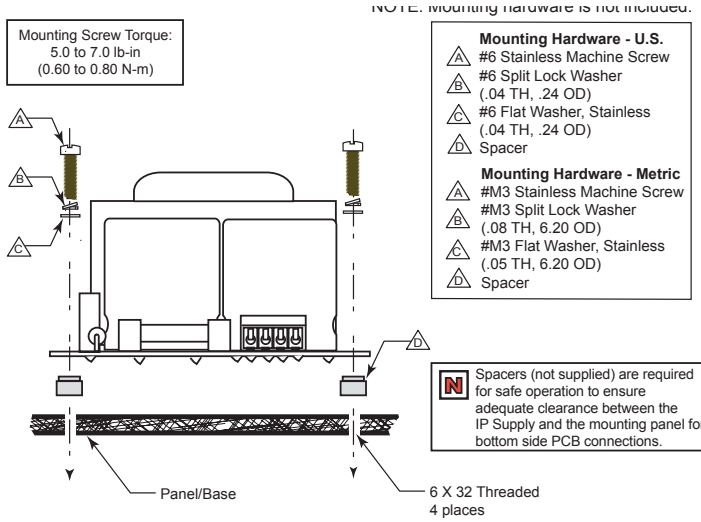
IP806



Mounting Instructions

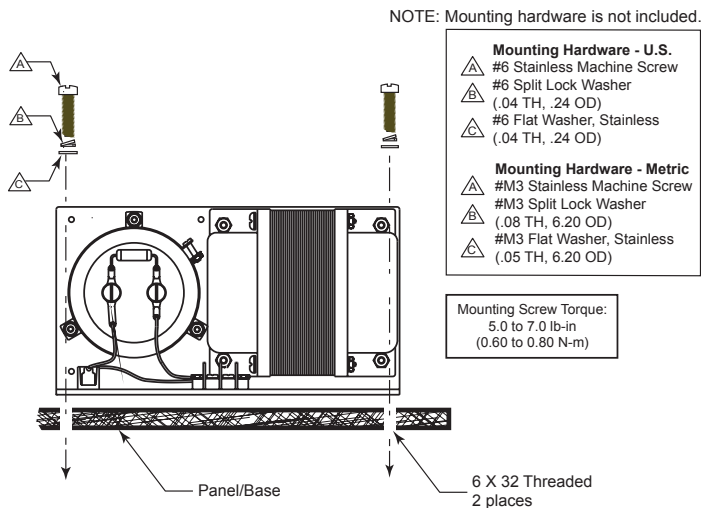
IP402, 404, 406 & 804

Mounting hardware and instructions are common for these Power Supplies. Please refer to Mechanical Specifications for your IP Model for PCB hole pattern specifications.



IP806

Please refer to Mechanical Specifications for the IP806 for mounting hole pattern specifications.

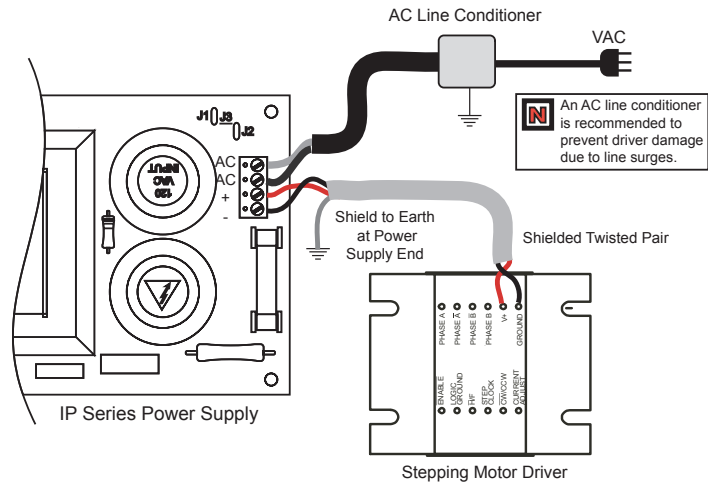


Connecting Instructions

IP402, 404, 406 & 804

In connecting the IP Power Supply observe the following practices:

- 1) Use shielded, twisted pair cables between the power supply and driver (See driver operating instructions for recommended wiring).
- 2) Ensure that the power supply output voltage does not exceed the maximum rated input voltage of the driver.
- 3) Tightening torque on the screw terminals should not exceed 4.5 lb-in (0.50 N-m).



IP806

In connecting the IP806 Power Supply observe the following practices:

- 1) Use shielded, twisted pair cables between the power supply and driver (See driver operating instructions for recommended wiring).
- 2) Ensure that the power supply output voltage does not exceed the maximum rated input voltage of the driver.

