

Quick Reference MDrive[®] 23 Microstepping



IMS
INTELLIGENT MOTION
SYSTEMS, INC.

Schneider
Electric

Specifications

Electrical Specifications

Input Voltage (+V) Range*	+12 to +60 VDC
Max Power Supply Current (Per MDrive 23)*	3.5 A

*Actual Power Supply Current will depend on voltage and load.

Environmental Specifications

Operating Temperature (non-condensing)	Heat Sink	-40°C to +85°C
	Motor	-40°C to +100°C

Isolated Input Specifications

Step Clock, Direction and Enable	Universal	Differential
Voltage Range (Sinking or Sourcing)	+5 to +24 VDC	0 to +5VDC
Input High Level Voltage	—	3.75 to 5.75 VDC
Input Low Level Voltage	—	≤ 1.2 VDC
Current (+5V Max)	8.7 mA	11.7 mA
Current (+24V Max)	14.6 mA	—

Motion Specifications

Digital Filter Range	50 nS to 12.9 μS (10 MHz to 38.8 kHz)
Clock Types	Step/Direction, Up/Down, Quadrature
Step Frequency (Max)	5 MHz
Step Frequency Minimum Pulse Width	100 nS
Number of Microstep Resolution Settings	20

Available Microsteps Per Revolution									
200	400	800	1000	1600	2000	3200	5000	6400	10000
12800	20000	25000	25600	40000	50000	51200	36000 ¹	21600 ²	25400 ³

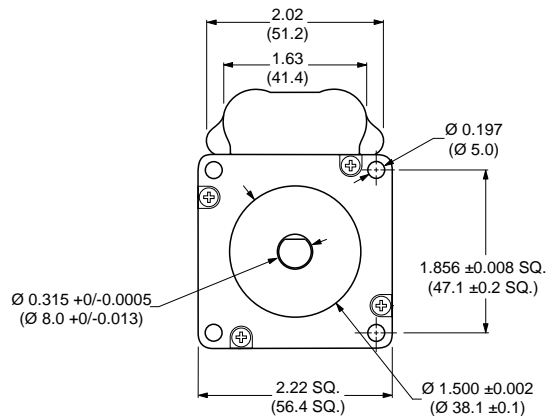
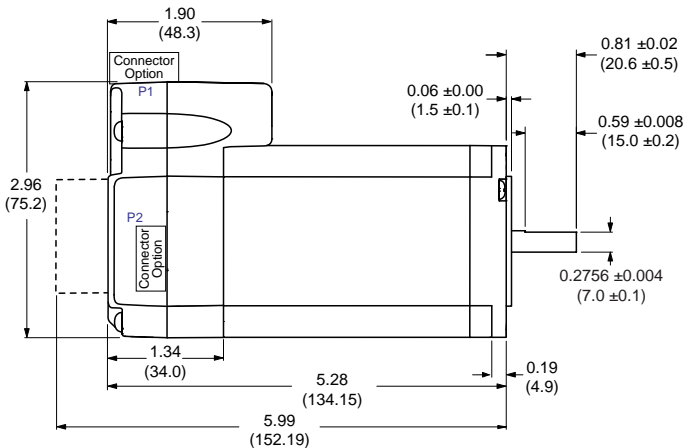
1=0.01 deg/μstep 2=1 arc minute/μstep 3=0.001 mm/μstep

Setup Parameters

Setup Parameters

Name	Function	Range	Units	Default
MHC	Motor Hold Current	0 to 100	Percent	5
MRC	Motor Run Current	1 to 100	Percent	25
MSEL	Microstep Resolution	See Motion Specifications	μsteps/ Full Step	256
DIR	Motor Direction Override	0/1	—	CW
HCDT	Hold Current Delay Time	0 or 2 - 65535	mSec	500
CLK TYPE	Clock Type	See Motion Specifications	—	Step/ Direction
CLK IOF	Clock Input Filter	50 nS to 12.9 μS (10 MHz to 38.8 kHz)	nS (MHz)	200 nS (2.5MHz)
EN ACT	Enable Active High/Low	High/Low	—	High
USER ID	User ID	3 Characters Viewable ASCII	Viewable ASCII	IMS

Mechanical Specifications



Notes and Warnings

Installation, configuration and maintenance must be carried out by qualified technicians only. You must have detailed information to be able to carry out this work. This information can be found in the user manual.

- Unexpected dangers may be encountered when working with this product!
- Incorrect use may destroy this product and connected components!

The user manual is not included, but may be obtained from the Internet at: <http://www.imshome.com/downloads/manuals.html>.

Required for Setup*

- PC running Microsoft[®] Windows XP Service Pack 2 or greater.
- SPI Motor Interface (available online).
- +12 to +60 VDC unregulated linear or switching power supply.
- 0 to 5 MHz clock signal for step clock, may be a controller high speed output or signal generator.
- SPST switch or controller I/O point to control axis direction.
- SPI communications interface (recommended: MD-CC300-001 or MD-CC303-001 communication converters).

Depending on your MDrive connectors configuration, you may also need:

- If using a 7-pin pluggable terminal we recommend 22 AWG shielded twisted pairs for logic wiring. Wire gauge for power connection varies with the distance from the MDrive and current. See the product manual for requirements.
- I/O, Power and Communications interface to 12-pin wire crimp connector (recommended: PD12-1434-FL3 prototype development cable).

* If you purchased your MDrive with a QuickStart Kit, you have received all of the connecting cables needed for initial functional setup and system testing.

Getting Started

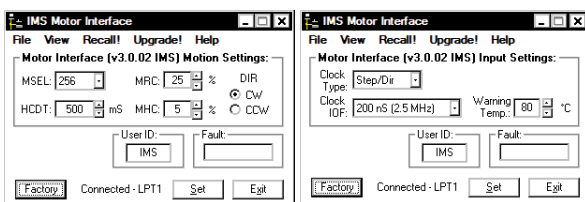
All documentation, software and resources are available online at: http://www.imshome.com/products/mdrive_motor_driver.html.

Connecting Power and I/O

Your MDrive is configured with power and I/O combined on a single connector. Please refer to the opposite side of this document for connecting details and available connectivity options including prototype development cables and mating connector kits.

Connecting Communications

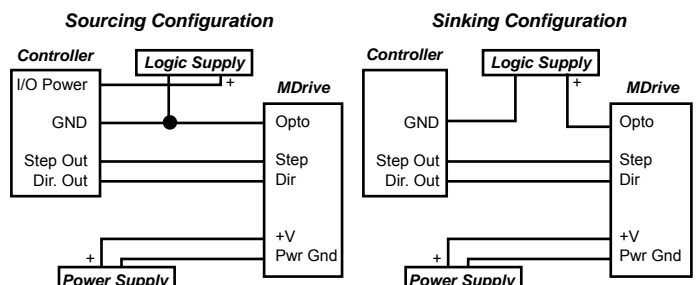
1. Connect IMS USB to SPI communications converter to MDrive and PC.
2. Install the communication converter drivers onto PC (available online).
3. Install and open SPI Motor Interface.
4. Apply power to MDrive.
5. Parameters may be adjusted via two screens, the Motor Settings screen or the I/O Settings screen (shown below), accessible via the View menu.



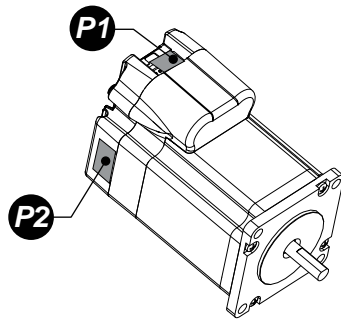
Motor Settings Screen

I/O Settings Screen

Minimum Required Connections



MDrive 23 Microstepping Connectivity Options



Connector Style	Function
P1 Pluggable Terminal.....	I/O and Power
Flying Leads.....	I/O and Power
12-pin Wire Crimp.....	I/O, Power and Communications
P2 10-pin IDC.....	Communications

P1 I/O & Power (Universal or Differential Inputs)

Pluggable terminal or flying leads

Pluggable Terminal

Pin #	Universal	Differential
1	Opto	CW+
2	No Connect	No Connect
3	Step Clock	CW-
4	Direction	CCW-
5	Enable	CCW+
6	Ground	Ground
7	+V	+V

User Supplied Recommended
Wire: 22 AWG Stranded

Flying Lead Colors

Wire Color	Universal	Differential
White	Opto	CW+
Orange	Step Clock	CW-
Blue	Direction	CCW-
Brown	Enable	CCW+
Black	Ground	Ground
Red	+V	+V

P1 I/O, Power and Communications (Universal Inputs Only)

12-pin wire crimp

Chip Select	(11) (12)	SPI MISO
Comm Gnd	(9) (10)	SPI MOSI
+5 VDC	(7) (8)	SPI Clock
Enable (CCW+)*	(5) (6)	Direction (CCW-)*
Opto Ref (CW+)*	(3) (4)	Step Clock (CW-)*
Power Gnd	(1) (2)	+V

*Differential inputs shown in parenthesis

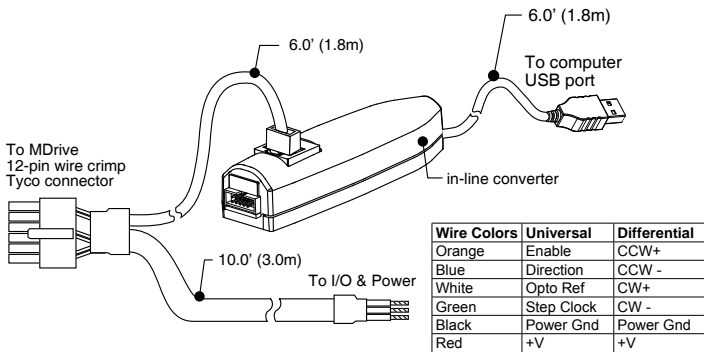
CONNECTOR PRODUCT ALERT! October 2009

Disregard these pin number markings. Use the pin numbering scheme shown above.

The manufacturer of this 12-pin wire crimp connector has begun marking the connector shell, PN 1-794617-2 with pin numbers shown here.

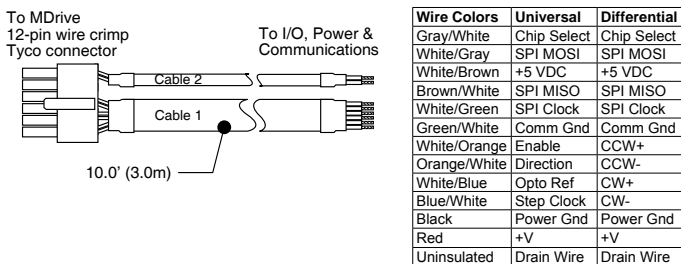
Communications Converter p/n: MD-CC303-001

Electrically isolated in-line USB to SPI converter pre-wired with mating connector to conveniently program and set configuration parameters. A secondary cable from the mating connector provides interface to power and I/O.



Prototype Development Cable p/n: PD12-1434-FL3

Speed test and development with pre-wired mating connector.



Mating Connector Kit p/n: CK-03

Use to make your own cables, kit contains 5 mating connector shells for making interface cables. Tyco crimp tool recommended.

Tyco Parts Shell: 1-794617-2
Pins: 794610-1

P2 Communications

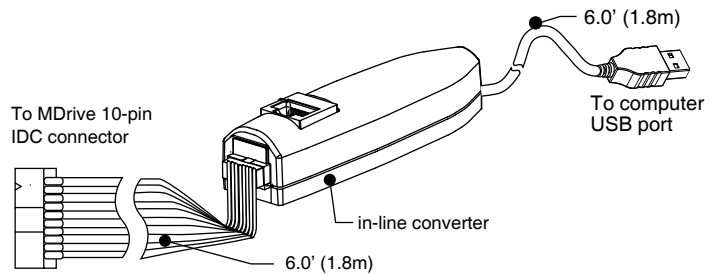
10-pin IDC

No Connect	1 2	No Connect
No Connect	3 4	Chip Select
GND	5 6	+5 VDC Out*
MOSI	7 8	SPI Clock
No Connect	9 10	MISO

*Used to power the MD-CC300-001 only.

Communications Converter p/n: MD-CC300-001

Electrically isolated in-line USB to SPI converter pre-wired with mating connector to conveniently program and set configuration parameters.



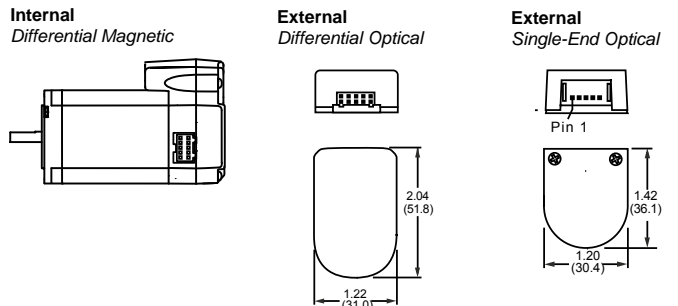
Mating Connector Kit p/n: CK-01

Use to make your own cables, kit contains 5 mating connector shells for making interface cables.

IDC Parts Shell: SAMTEC TCSD-05-01-N
Ribbon Cable: AMP 1-57051-9

Encoder Options

Three (3) different encoder styles are available, detailed below. Please see the product manual for pin numbering and location.



Optional Encoder Cables

p/n: ED-CABLE-JST10
10.0' (3.0 m)

wire color: function
Orange/White: CH B-
White/Orange: CH B+
White/Blue: IDX+
Blue/White: IDX-
White/Green: CH A+
Green/White: CH A-
White/Brown: Ground
Brown/White: N/C

p/n: ED-CABLE-6
6.0' (1.8 m)

wire color: function
Orange/White: +5 VDC In
White/Orange: Ground
White/Blue: CH A-
Blue/White: CH A+
White/Green: CH B-
Green/White: CH B+
White/Brown: IDX-
Brown/White: IDX+

p/n: ES-CABLE-2
12" (30.4 cm)

wire color: function
(Pin 1) Brown: Ground
Violet: IDX
Blue: CH A
Orange: +5 VDC In
Yellow: CH B

Differential Input Option

Replaces the 0 to 24VDC Universal inputs with +5 VDC tolerant line driven differential inputs.

The inputs replaced are shown in the table on the right with the differential input counterpart.

NOTE! The differential inputs have a maximum input voltage of 5.75 VDC! DO NOT EXCEED THIS LEVEL!

Universal Input Function	Differential Input Function
Opto Reference	CW +
Step Clock Input	CW -
CW/CCW Direction Input	CCW -
Enable Input	CCW +

