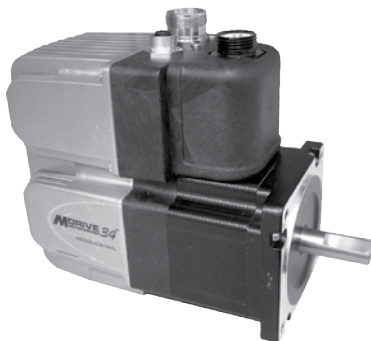


MDrive® 34AC Motion Control



Intelligent motion systems | **Schneider Electric**

Notes and Warnings

Installation, configuration and maintenance must be carried out by qualified technicians only. You must have detailed information to be able to carry out this work. This information can be found in the user manuals.

- Motor overload protection and over temperature sensing is required.
- Unexpected dangers may be encountered when working with this product!
- Incorrect use may destroy this product and connected components!

The user manuals are not included. You can obtain them from the Internet at: <http://motion.schneider-electric.com>.

Required for Setup*

- PC running Microsoft® Windows XP Service Pack 2 or greater.
- Motion Control Programmer integrated program editor and terminal emulator (available online).
- MD-CS200-000 or equivalent Lumberg Euro AC cable for AC line (required for UL acceptance).
- RS-422/485 communications interface (recommended: MD-CC401-001 communication converter). Or CANopen communications converter (recommended: MD-CC500-000).

Depending on your MDrive connectors configuration, you may also need:

- I/O and Power interface to 19-pin M23 circular connector (recommended: MD-CS100-000 or MD-CS101-000 prototype development cordset).

* If you purchased your MDrive with a QuickStart Kit, you have received all of the connecting cables needed for initial functional setup and system testing.

Getting Started

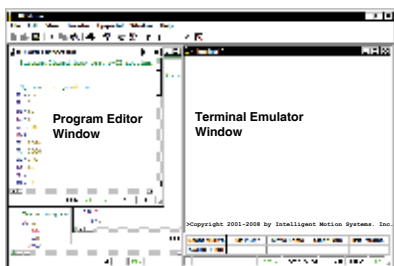
All documentation, software and resources are available online at: motion.schneider-electric.com.

Connecting Power and I/O

Your MDrive is configured with power and I/O on separate connectors. Please refer to the opposite side of this document for connecting details and available connectivity options including Prototype Development Cables and mating connector recommendations.

Connecting Communications — RS-422/485

1. Connect RS-422/485 communications converter to MDrive and PC.
2. Install the communication converter drivers onto PC (available online).
3. Install and open Motion Control Programmer.
4. Apply power to MDrive.
5. Within Motion Control Programmer, click into the Terminal Window (shown below).



6. Key in CTRL+C. The MDrive sign-on message: "Copyright 2001-2017 by Schneider Electric Motion USA." should appear, verifying that communications is active.

Connecting Communications — CANopen

A "Getting Started" tutorial using the CANopen Tester GUI with the MD-CC500-000 USB to CANopen dongle is located in the CANopen implementation manual, available online.

General Specifications

Electrical Specifications

Input Voltage Range (120 VAC MDrive)	95 to 132 VAC @ 50/60 Hz
Input Current (120 VAC MDrive)	4.2 Amps
Input Voltage Range (240 VAC MDrive)	95 to 264 VAC @ 50/60 Hz
Input Current (240 VAC MDrive)	2.1 Amps
Aux-Logic Input Voltage	+12 to +24 VDC
Aux-Logic Input Current	230 mA Max

Environmental Specifications

Operating Temperature (non-condensing)	Heat Sink	-40°C to +75°C
	Motor	-40°C to +90°C
IP-rated sealing		IP54

I/O Specifications

General Purpose I/O - Number and Type	
I/O Points 1-4, 9-12	8 programmable I/O Points - sinking or sourcing inputs or outputs
General Purpose I/O - Electrical	
Inputs	TTL, +5 to +24 VDC
Sinking Outputs	+5 to +24 VDC
Sourcing Outputs	+12 to +24 VDC
Output Sink Current	up to 600 mA
Logic Threshold (Logic 0)	< 0.8 VDC
Logic Threshold (Logic 1)	> 2.2 VDC
Protection (Sinking)	Over Temp, Short Circuit
Protection (Sourcing)	Transient Over Voltage, Inductive Clamp
Analog Input	
Resolution	10 Bit
Range (Voltage Mode)	0 to +5 VDC, 0 to +10 VDC
Range (Current Mode)	4 to 20 mA, 0 to 20mA
Clock I/O	
Types	Step/Direction, Up/Down, Quadrature
Logic Threshold	TTL Input, TTL Output (with 2 kΩ Load to Ground)
Trip Output/Capture Input	
Logic Threshold	TTL Input, TTL Output (with 2 kΩ Load to Ground)

Communications Specifications

Protocol	RS-422/RS-485
BAUD Rate	4.8k, 9.6k, 19.2k, 38.4k, 115.2 kbps
CANopen Option	
Protocol	CAN 2.0B Active
Communications Profile	CIA DS-301
BAUD Rate	10, 20, 50, 125, 250, 500, 800 kBit/s, 1MBit/s (default)
Note: 800 kbps not supported by the MD-CC500-000 USB to CANopen dongle.	

Protection Specifications

Thermal
Internal Fuse (Line-Neutral Systems Only, Line-Line Systems Require External Fusing)

Motion Specifications

Microstep Resolution - Open Loop	
Number of Resolutions	20

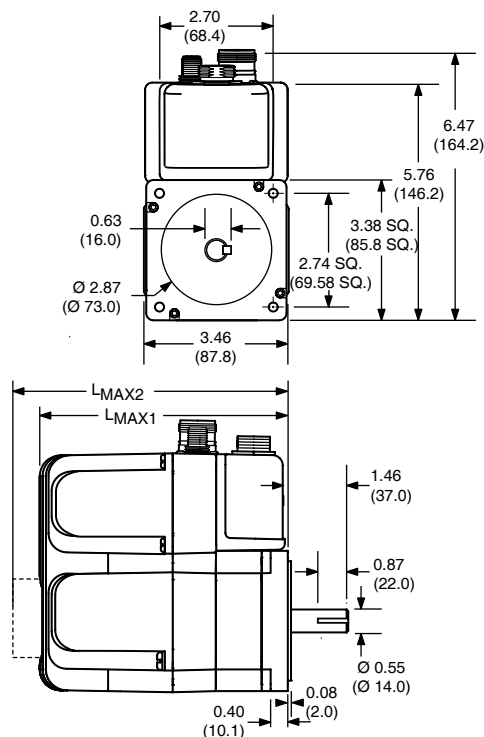
Available Microsteps Per Revolution									
200	400	800	1000	1600	2000	3200	5000	6400	10000
12800	20000	25000	25600	40000	50000	51200	36000 ¹	21600 ²	25400 ³

1=0.01 deg/μstep 2=1 arc minute/μstep 3=0.001 mm/μstep

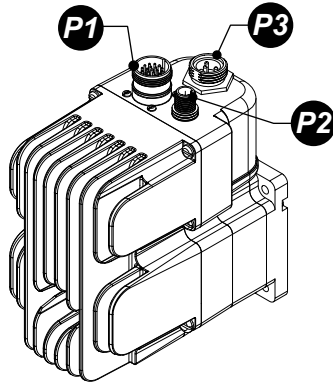
Software Specifications

Program Storage Type/Size	Flash/6384 Bytes
User Program Labels and Variables	192
Party Mode Addresses	62

Mechanical Specifications



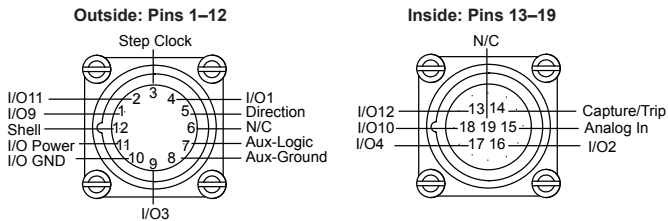
MDrive 34AC Motion Control Connectivity Options



Connector Style	Function
P1 19-pin M23 industrial (male)	I/O
P2 5-Pin M12 industrial (female) 5-Pin M12 industrial (male)	Communications Communications (CANopen version)
P3 3-pin Euro AC (male)	AC Power

P1 I/O

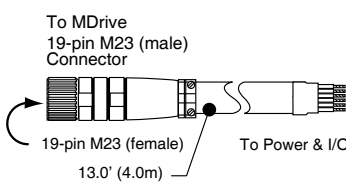
19-pin M23 industrial connector (male)



Prototype Development Cordset

p/n (straight connector): MD-CS100-000
p/n (right-angle connector): MD-CS101-000

Pre-wired mating connector interfaces to an MDrive 19-pin M23 circular connector, with flying leads other end, for quick test/development.



Wire Colors	Function	Encoder Function
Violet	I/O9	Channel A+
Red	I/O11	Channel B+
Gray	Step Clock	Index+
Red/Blue	I/O1	I/O1
Green	Direction	Index-
Blue	N/C	N/C
Gray/Pink	Aux-Logic	Aux-Logic
White/Green	Comm GND	Comm GND
White/Yellow	I/O3	I/O3
White/Gray	I/O GND	I/O GND
Black	I/O Power	I/O Power
Green/Yellow	Shell Connect	Shell Connect
Yellow/Brown	I/O12	Channel B-
Brown/Green	Capture/Trip	Capture/Trip
White	Analog In	Analog In
Yellow	I/O2	I/O2
Pink	I/O4	I/O4
Gray/Brown	I/O10	I/O10
Brown	N/C	N/C

Mating Connector Recommendations

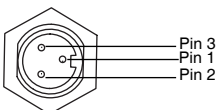
The MD-CS100-000 is recommended with 19-pin M23 connector.

For comparable connector only, shop vendors:

- Lumberg
- Phoenix
- Turck
- RDE Connectors

P3 AC Power

3-pin Euro AC connector (male)

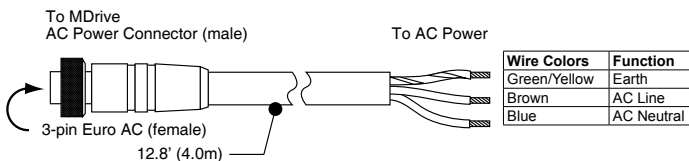


Prototype Development Cordset

p/n (straight connector): MD-CS200-000
p/n (right-angle connector): MD-CS201-000

Pre-wired mating connector interfaces to an MDrive 3-pin circular EuroAC connector, with flying leads other end, for quick test/development.

Note that this cable or equivalent Lumberg mating connector/cable must be used to meet UL conditions of acceptability.



Mating Connector Recommendations

The following field-solderable mating connector is recommended for use with the MDriveAC Plus. Use of this connector meets UL Acceptability requirements.

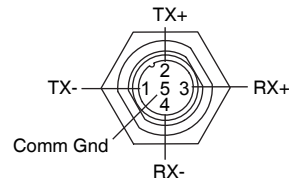
Lumberg: RKC 30/11

UL Conditions of Acceptability

For full description of the UL Conditions of Acceptability please visit http://www.imshome.com/support/ce_ul_rohs_conform.html.

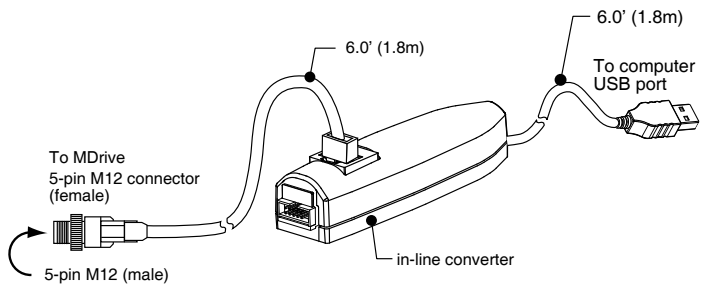
P2 Communications — RS-422/485

5-pin M12 industrial connector (female)



Communications Converter p/n: MD-CC401-001

Electrically isolated in-line USB to RS-422/485 converter pre-wired with mating connector to conveniently program and set configuration parameters.



Mating Connector Recommendations

IMS converter MD-CC401-001 recommended with 5-pin M12 connector.

For comparable connector only, shop vendors:

- Lumberg
- Phoenix
- Turck
- RDE Connectors

P2 Communications — CANopen version

5-pin M12 circular connector (male)

Communications Converter p/n: MD-CC500-000

Electrically isolated in-line USB to CANopen converter. USB "A" Type connector to DB-9 (Male). An Interface cable must be constructed by the user to interface to the MDrive.

Mating Cable Requirements

The following diagram illustrates the parts and connections for an interface cable connecting the MD-CC500-000 to the MDrive.

Parts Required
Connectors: (1) DB-9 (female), (1) 5-pin M12 (female)
Power Supply: +7 to +30 VDC
Terminating Resistor: 120 Ω 1%

